

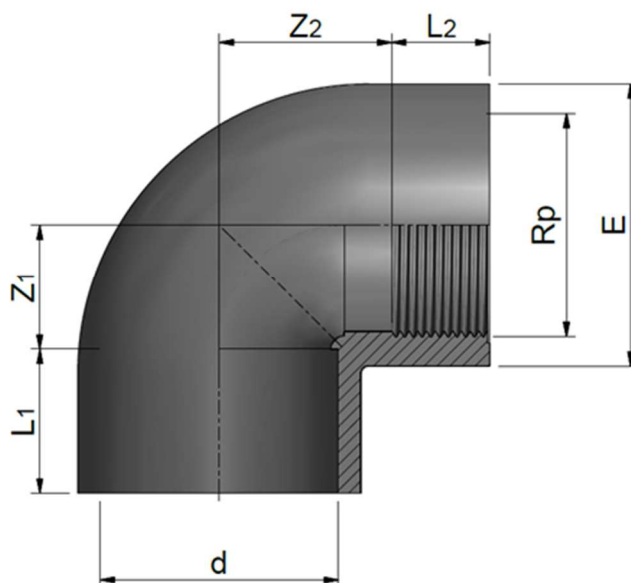
PVCu Solvent welded BS—BSPP Threaded fittings
PVCu Raccordi BS per incollaggio—filettati BSPP

PVC-U Adaptor fittings, BS - BSPP

PVC-U Raccordi di passaggio, BS - BSPP

ELBOW 90°
GOMITO 90°

Rev. Jul 2020



Code	d	Rp	L1	L2	Z1	Z2	E	PN	Weight (g)
RCRGOC020B	1/2"	1/2"	17	15	11	13	28	15	20
RCRGOC025C	3/4"	3/4"	20	16,3	14	17	34	15	35
RCRGOC032D	1"	1"	23	19,1	17	21	42	15	60
RCRGOC040E	1"1/4	1"1/4	27	21,4	21	27	51	15	90
RCRGOC050F	1"1/2	1"1/2	32	21,4	26	37	61	15	155
RCRGOC063G	2"	2"	38	26	33	46	75	15	265
RCRGOC075H	2"1/2	2"1/2	44	30,2	39	53	89	15	400
RCRGOC090I	3"	3"	52	33,3	47	65	106	15	670
RCRGOC110L	4"	4"	63	39,3	58	79	132	15	1078

Thread according to ISO 228-1 / Filettatura secondo ISO 228-1

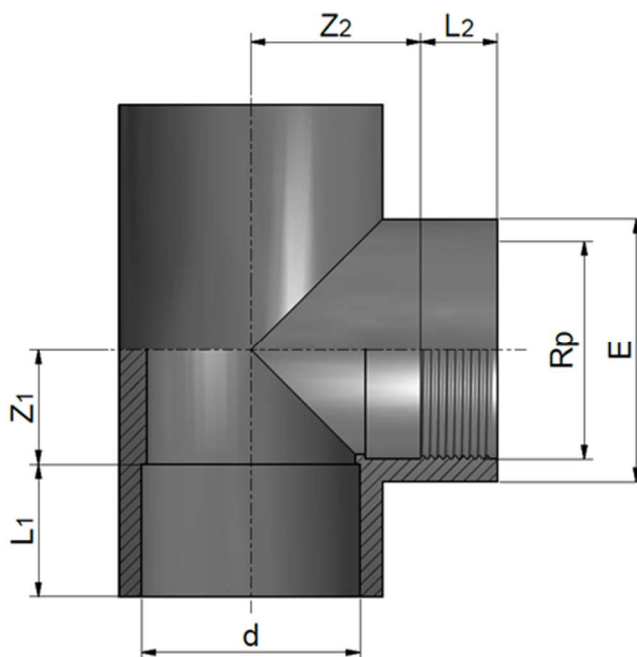


NSF and WRAS certifications: only for valves with EPDM seals. Certifications and approvals are related to items declared on Official Listing or certificates. /
Certificazioni NSF e WRAS: valide solo per le valvole con guarnizioni EPDM. Le certificazioni si riferiscono ai prodotti dichiarati nelle Official Listing o sui certificati stessi.

PVC-U Adaptor fittings, BS - BSPP
PVC-U Raccordi di passaggio, BS - BSPP

TEE 90° WITH FEMALE THREADED BRANCH
TI 90° CON BOCCA CENTRALE FILETTATA FEMMINA

Rev. Jul 2020



Code	d	Rp	L1	L2	Z1	Z2	E	PN	Weight (g)
RCRTIC020B	1/2"	1/2"	17	15	11	13	28	15	25
RCRTIC025C	3/4"	3/4"	20	16,3	14	17	34	15	38
RCRTIC032D	1"	1"	23	19,1	17	21	42	15	69
RCRTIC040E	1"1/4	1"1/4	27	21,4	21	27	51	15	106
RCRTIC050F	1"1/2	1"1/2	32	21,4	26	37	61	15	213
RCRTIC063G	2"	2"	39	25,7	33	47	75	15	380
RCRTIC075H	2"1/2	2"1/2	44	30,2	39	53	89	15	505
RCRTIC090I	3"	3"	51	33,3	47	65	106	15	882
RCRTIC110L	4"	4"	63	39,3	57	79	133	15	1325

Thread according to ISO 228-1 / Filettatura secondo ISO 228-1



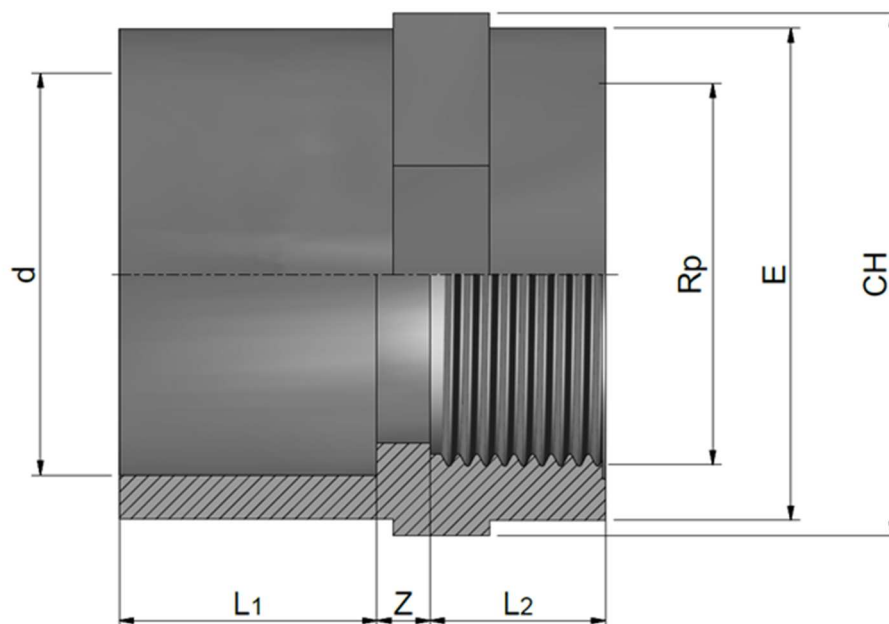
NSF and WRAS certifications: only for valves with EPDM seals. Certifications and approvals are related to items declared on Official Listing or certificates. /
 Certificazioni NSF e WRAS: valide solo per le valvole con guarnizioni EPDM. Le certificazioni si riferiscono ai prodotti dichiarati nelle Official Listing o sui certificati stessi.

PVC-U Adaptor fittings, BS - BSPP

PVC-U Raccordi di passaggio, BS - BSPP

SOCKET MANICOTTO

Rev. Jul 2020



Code	d	Rp	L1	L2	Z	E	CH	PN	Weight (g)
RCRMAC020B	1/2"	1/2"	17	15	4	28	30	15	18
RCRMAC025C	3/4"	3/4"	20	16,3	6	34	36	15	25
RCRMAC032D	1"	1"	23	19,1	6,6	42	46	15	38
RCRMAC040E	1"1/4	1"1/4	27	21,4	7	51	55	15	60
RCRMAC050F	1"1/2	1"1/2	32	21,4	7	61	65	15	95
RCRMAC063G	2"	2"	38	28	6	75	75	15	165
RCRMAC075H	2"1/2	2"1/2	44	30,2	8	89	90	15	215
RCRMAC090I	3"	3"	52	33,3	7	106	110	15	340
RCRMAC110L	4"	4"	63	39,3	5	134	130	15	550

Thread according to ISO 228-1 / Filettatura secondo ISO 228-1



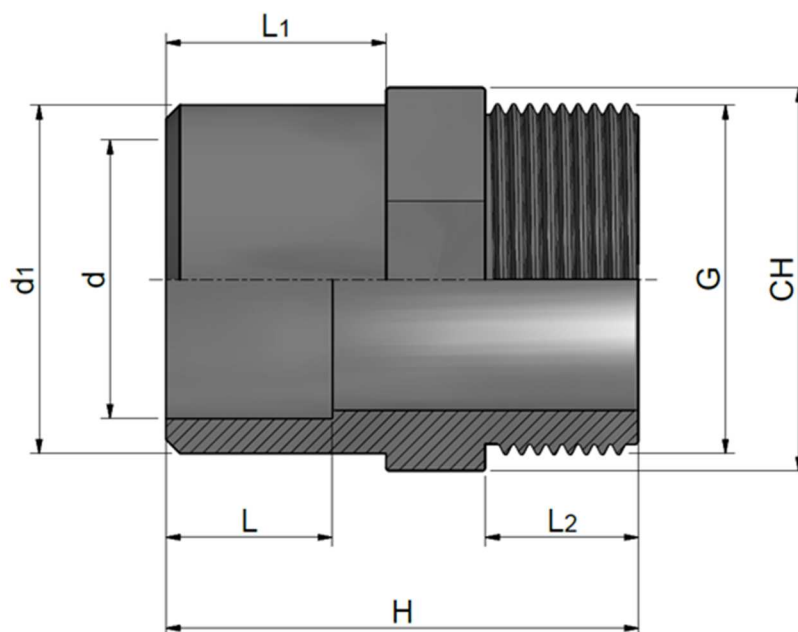
NSF and WRAS certifications: only for valves with EPDM seals. Certifications and approvals are related to items declared on Official Listing or certificates. /
Certificazioni NSF e WRAS: valide solo per le valvole con guarnizioni EPDM. Le certificazioni si riferiscono ai prodotti dichiarati nelle Official Listing o sui certificati stessi.

PVC-U Adaptor fittings, BS - BSPP

PVC-U Raccordi di passaggio, BS - BSPP

MALE ADAPTOR ADATTATORE MASCHIO

Rev. Aug 2019



Code	d	d1	G	L	L1	L2	H	CH	PN	Weight (g)
RCRAMC020B	1/2"	3/4"	1/2"	17	20	15	46	30	15	15
RCRAMC025C	3/4"	1"	3/4"	20	23	16,3	50	36	15	26
RCRAMC032D	1"	1"1/4"	1"	23	27	19,1	57	46	15	40
RCRAMC040E	1"1/4"	1"1/2"	1"1/4"	27	32	21,4	67	55	15	75
RCRAMC050F	1"1/2"	2"	1"1/2"	32	39	21,4	74	65	15	113
RCRAMC063G	2"	2"1/2"	2"	39	44	25,7	84	80	15	150
RCRAMC075H	2"1/2"	3"	2"1/2"	44	52	30,2	99	95	15	270
RCRAMC090I	3"	4"	3"	52	63	33,3	113	115	15	475
RCRAMC110L	4"	5"	4"	63	66	39,3	120	130	15	500

Thread according to ISO 228-1 / Filettatura secondo ISO 228-1



NSF and WRAS certifications: only for valves with EPDM seals. Certifications and approvals are related to items declared on Official Listing or certificates. /
Certificazioni NSF e WRAS: valide solo per le valvole con guarnizioni EPDM. Le certificazioni si riferiscono ai prodotti dichiarati nelle Official Listing o sui certificati stessi.

Polypipe Italia

Loc. Pianmercato 5C-5D-5H, 16044 Cicagna (GE), Italy
Tel: +39 0185 92399 E-mail: support@effast.com

www.effast.com

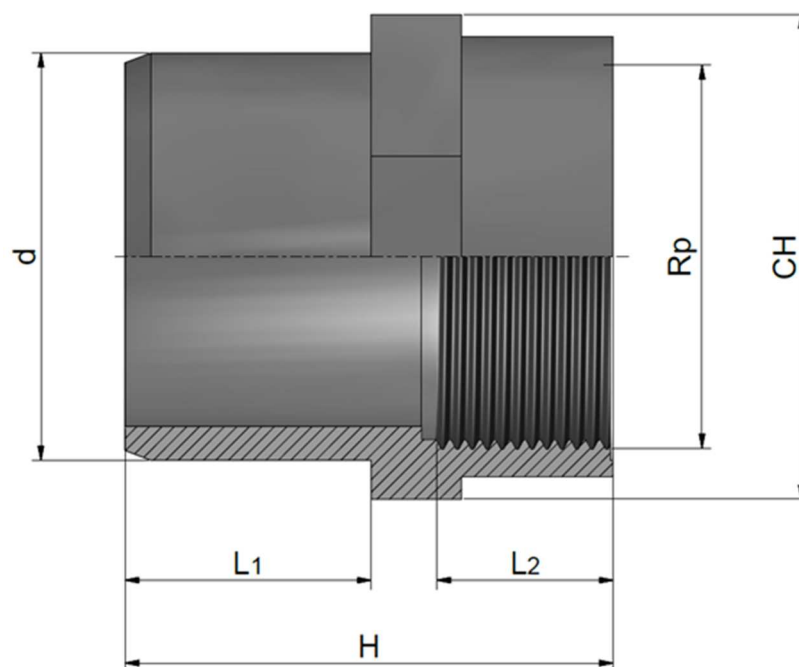
EFFAST

PVC-U Adaptor fittings, BS - BSPP

PVC-U Raccordi di passaggio, BS - BSPP

FEMALE ADAPTOR ADATTATORE FEMMINA

Rev. Aug 2019



Code	d	Rp	L1	L2	H	CH	PN	Weight (g)
RCRAFC020B	1/2"	1/2"	17	15	40	30	15	20
RCRAFC025C	3/4"	3/4"	20	16,3	45	36	15	25
RCRAFC032D	1"	1"	23	19,1	51	46	15	43
RCRAFC040E	1"1/4	1"1/4	27	21,4	58	55	15	65
RCRAFC050F	1"1/2	1"1/2	32	21,4	64	65	15	73
RCRAFC063G	2"	2"	39	26	75	75	15	135
RCRAFC075H	2"1/2	2"1/2	44	30,2	88	90	15	225

Thread according to ISO 228-1 / Filettatura secondo ISO 228-1



NSF and WRAS certifications: only for valves with EPDM seals. Certifications and approvals are related to items declared on Official Listing or certificates. /
Certificazioni NSF e WRAS: valide solo per le valvole con guarnizioni EPDM. Le certificazioni si riferiscono ai prodotti dichiarati nelle Official Listing o sui certificati stessi.

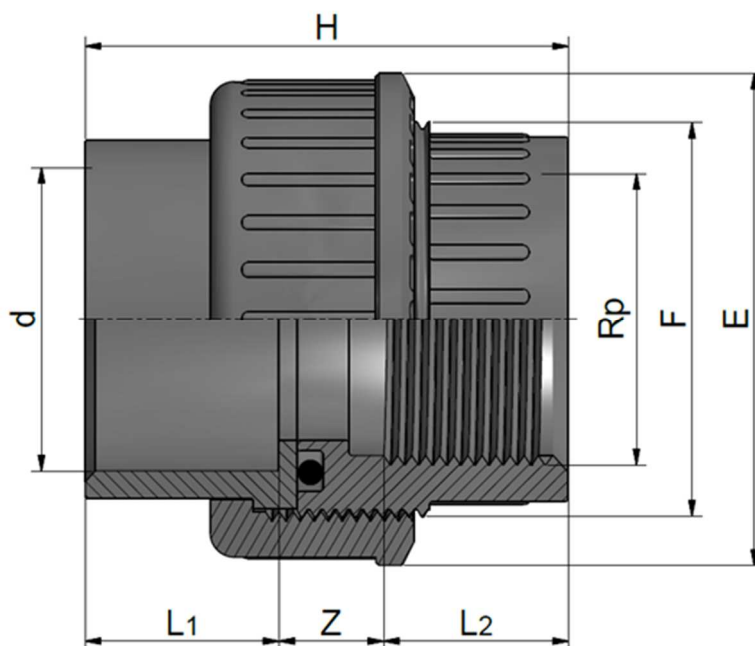
PVC-U Adaptor fittings, BS - BSPP

PVC-U Raccordi di passaggio, BS - BSPP

MALE ADAPTOR ADATTATORE MASCHIO

- Seal: EPDM or FKM / Guarnizione: EPDM o FKM

Rev. Jul 2020



Code EPDM	Code FKM	d	Rp	L1 min	L2 min	Z max	H	E	F	PN	Weight (g)
RCRBOC016A	RCRBOC016V	3/8"	3/8"	14	11,4	16,6	42	34	3/4"	15	30
RCRBOC020B	RCRBOC020V	1/2"	1/2"	16	15	14	45	43	1"	15	42
RCRBOC025C	RCRBOC025V	3/4"	3/4"	19	16,3	15,7	51	54	1"1/4	15	70
RCRBOC032D	RCRBOC032V	1"	1"	22	19,5	15,5	57	61	1"1/2	15	95
RCRBOC040E	RCRBOC040V	1"1/4	1"1/4	27	21,4	19,6	68	75	2"	15	155
RCRBOC050F	RCRBOC050V	1"1/2	1"1/2	31	21,4	27,6	80	81	2"1/4	15	240
RCRBOC063G	RCRBOC063V	2"	2"	38	25,7	34,3	98	99	2"3/4	15	405
RCRBOC075H	RCRBOC075V	2"1/2	2"1/2	44	30,2	35,8	110	120	3"1/2	15	625
RCRBOC090I	RCRBOC090V	3"	3"	51	33,3	40,7	125	134	4"	15	865
RCRBOC110L	RCRBOC110V	4"	4"	61	39,3	44,7	145	163	5"	15	1340

Thread according to ISO 228-1 / Filettatura secondo ISO 228-1



NSF and WRAS certifications: only for valves with EPDM seals. Certifications and approvals are related to items declared on Official Listing or certificates. /
Certificazioni NSF e WRAS: valide solo per le valvole con guarnizioni EPDM. Le certificazioni si riferiscono ai prodotti dichiarati nelle Official Listing o sui certificati stessi.

PVC-U Adaptor fittings, BS - BSPP

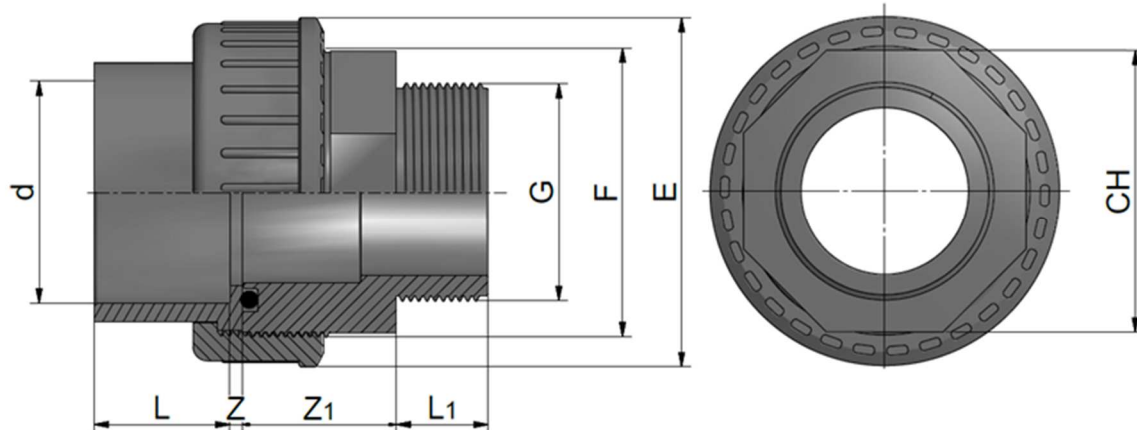
PVC-U Raccordi di passaggio, BS - BSPP

UNION F-M

BOCCHETTONE F-M

- Seal: EPDM or FKM / Guarnizione: EPDM o FKM

Rev. Jul 2020



Code EPDM	Code FKM	d	G	L	L1	Z	Z1	F	E	CH	PN	Weight (g)
RCRBMC020B	RCRBMC020V	1/2"	1/2"	16	15	3	28	1"	43	30	15	51
RCRBMC025C	RCRBMC025V	3/4"	3/4"	19	16,9	3	30	1"1/4	54	36	15	70
RCRBMC032D	RCRBMC032V	1"	1"	22	19,1	3	31	1"1/2	61	46	15	91
RCRBMC040E	RCRBMC040V	1"1/4	1"1/4	27	22	3	34	2"	75	55	15	182
RCRBMC050F	RCRBMC050V	1"1/2	1"1/2	31	22	4	36	2"1/4	81	65	15	300
RCRBMC063G	RCRBMC063V	2"	2"	38	26	4	43	2"1/4	99	80	15	430

Thread according to ISO 228-1 / Filettatura secondo ISO 228-1



NSF and WRAS certifications: only for valves with EPDM seals. Certifications and approvals are related to items declared on Official Listing or certificates. /
 Certificazioni NSF e WRAS: valide solo per le valvole con guarnizioni EPDM. Le certificazioni si riferiscono ai prodotti dichiarati nelle Official Listing o sui certificati stessi.

PVC-U Adaptor fittings, BS - BSPP

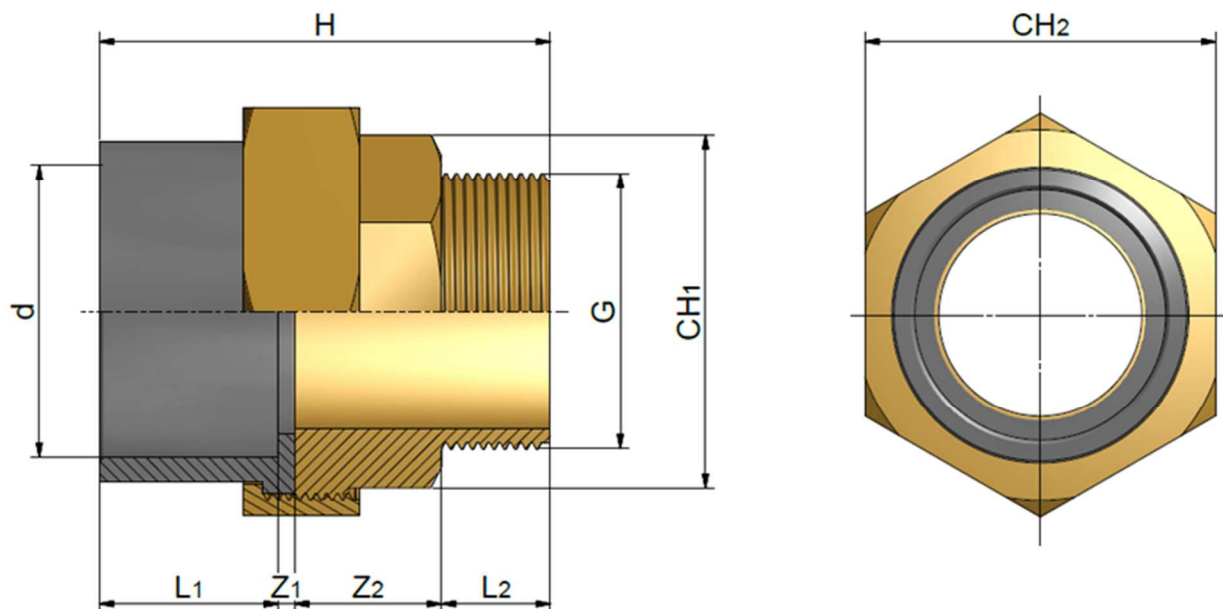
PVC-U Raccordi di passaggio, BS - BSPP

UNION WITH BRASS MALE BUSH

BOCCHETTONE CON PEZZO FISSO OTTONE MASCHIO

- Seal: EPDM or FKM / Guarnizione: EPDM o FKM

Rev. Aug 2019



Code	d	G	L1	L2	Z1	Z2	H	CH1	CH2	PN	Weight (g)
RCRBNC020B	1/2"	1/2"	16	13,2	3	19,8	52	25	44	15	190
RCRBNC025C	3/4"	3/4"	19	14,5	3	23,5	60	31	46	15	242
RCRBNC032D	1"	1"	22	16,8	3	24,2	66	38	55	15	324
RCRBNC040E	1"1/4	1"1/4	27	21	3	28	79	47	65	15	480
RCRBNC050F	1"1/2	1"1/2	31	21	4	29	85	53	72	15	654
RCRBNC063G	2"	2"	38	23,4	4	31,6	97	66	88	15	1010
RCRBNC075H	2"1/2	2"1/2	44	26,7	4	39,3	114	81	108	15	1550
RCRBNC090I	3"	3"	51	27,2	5	42,8	126	95	121	15	2140



NSF and WRAS certifications: only for valves with EPDM seals. Certifications and approvals are related to items declared on Official Listing or certificates. /
 Certificazioni NSF e WRAS: valide solo per le valvole con guarnizioni EPDM. Le certificazioni si riferiscono ai prodotti dichiarati nelle Official Listing o sui certificati stessi.

PVC-U Adaptor fittings, BS - BSPP

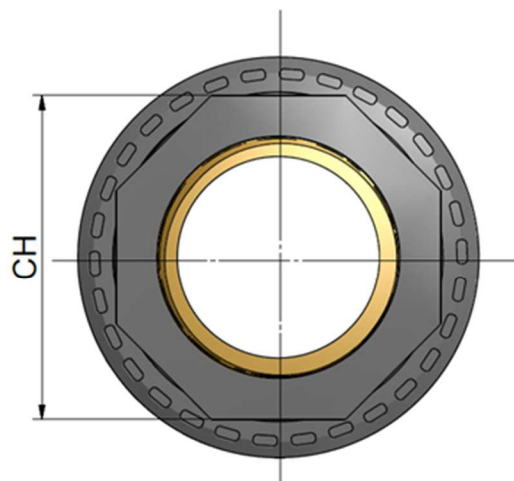
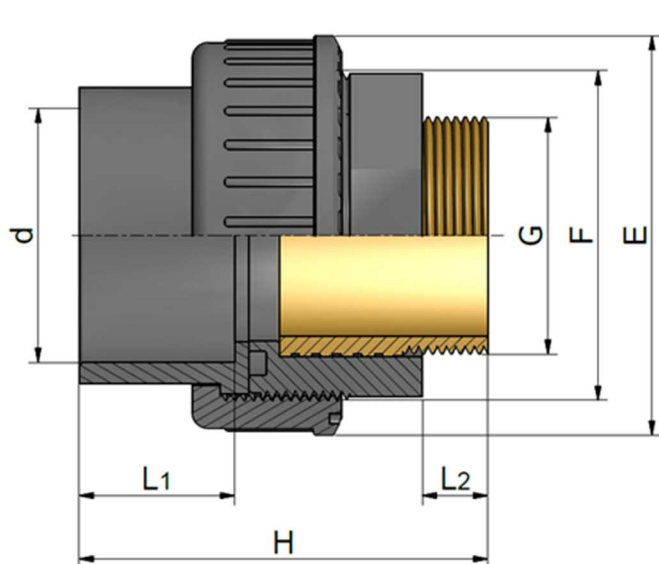
PVC-U Raccordi di passaggio, BS - BSPP

UNION WITH MALE BRASS INSERT

BOCCHETTONE CON INSERTO OTTONE MASCHIO

- Seal: EPDM / Guarnizione: EPDM

Rev. Aug 2019



Code	d	G	L1	L2	H	E	F	CH	PN	Weight (g)
RCRBND020B.N	1/2"	1/2"	17	13	61	43	1"	30	15	109
RCRBND025C.N	3/4"	3/4"	19	14	68	54	1"1/4	36	15	163
RCRBND032D.N	1"	1"	23	18	77	60	1"1/2	46	15	325
RCRBND040E.N	1"1/4	1"1/4	27	21	87	75	2"	55	15	336
RCRBND050F.N	1"1/2	1"1/2	37	21	95	81	2"1/4	65	15	465
RCRBND063G.N	2"	2"	41	21	108	99	2"3/4	80	15	680



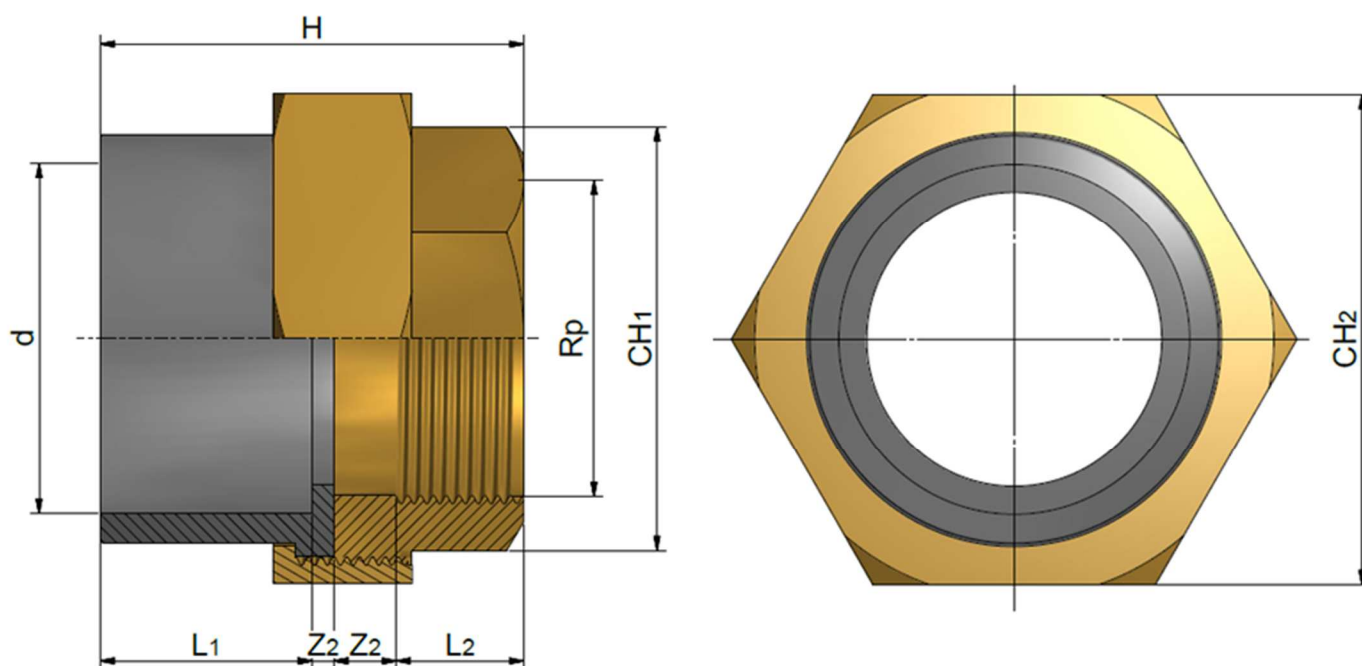
NSF and WRAS certifications: only for valves with EPDM seals. Certifications and approvals are related to items declared on Official Listing or certificates. /
 Certificazioni NSF e WRAS: valide solo per le valvole con guarnizioni EPDM. Le certificazioni si riferiscono ai prodotti dichiarati nelle Official Listing o sui certificati stessi.

PVC-U Adaptor fittings, BS - BSPP
PVC-U Raccordi di passaggio, BS - BSPP

UNION WITH BRASS F-F
BOCCHETTONE CON OTTONE F-F

- Seal: EPDM / Guarnizione: EPDM

Rev. Aug 2019



Code	d	Rp	L1	L2	Z1	Z2	H	CH1	CH2	PN	Weight (g)
RCRBBC020B	1/2"	1/2"	16	12	3	9	40	26	44	15	172
RCRBBC025C	3/4"	3/4"	19	13	3	9	44	32	46	15	210
RCRBBC032D	1"	1"	22	16	3	10	51	38	55	15	280
RCRBBC040E	1"1/4	1"1/4	27	18	3	11	59	47	65	15	400
RCRBBC050F	1"1/2	1"1/2	31	18	4	11	64	54	72	15	490
RCRBBC063G	2"	2"	38	22	4	12	76	66	88	15	820
RCRBBC075H	2"1/2	2"1/2	44	24	4	12	84	82	108	15	1340
RCRBBC090I	3"	3"	51	31	5	13	100	95	121	15	1650



NSF and WRAS certifications: only for valves with EPDM seals. Certifications and approvals are related to items declared on Official Listing or certificates. /
 Certificazioni NSF e WRAS: valide solo per le valvole con guarnizioni EPDM. Le certificazioni si riferiscono ai prodotti dichiarati nelle Official Listing o sui certificati stessi.

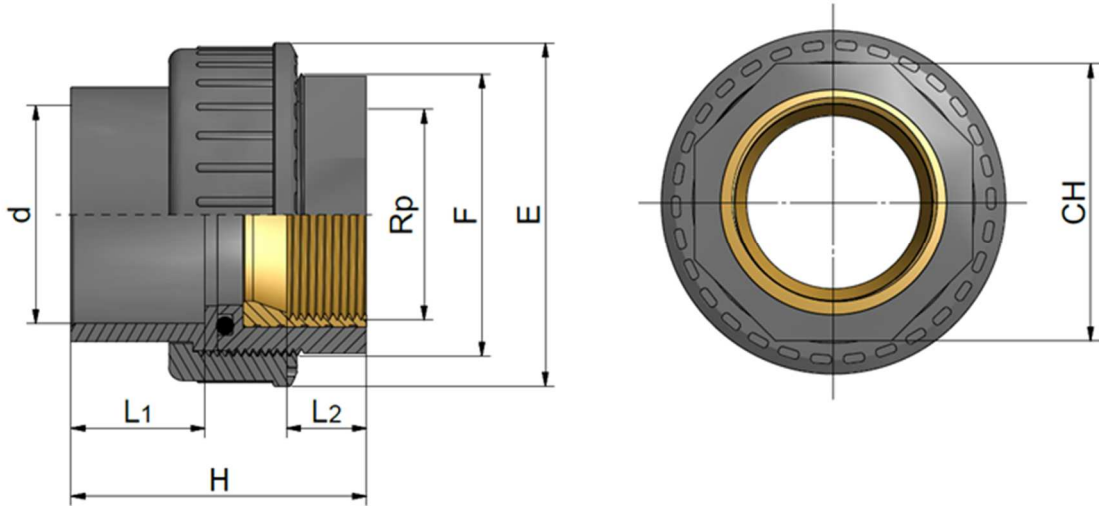
PVC-U Adaptor fittings, BS - BSPP

PVC-U Raccordi di passaggio, BS - BSPP

UNION WITH FEMALE BRASS INSERT BOCCHETTONE CON INSERTO OTTONE FEMMINA

Rev. Aug 2019

- Seal: EPDM or FKM / Guarnizione: EPDM o FKM



Code	d	Rp	L1	L2	H	E	F	CH	PN	Weight (g)
RCRBBD020B.N	1/2"	1/2"	16	14	47	43	1"	30	15	78
RCRBBD025C.N	3/4"	3/4"	19	16	52	54	1"1/4	36	15	111
RCRBBD032D.N	1"	1"	22	19	58	60	1"1/2	46	15	173
RCRBBD040E.N	1"1/4	1"1/4	27	23	65	75	2"	55	15	235
RCRBBD050F.N	1"1/2	1"1/2	31	23	71	81	2"1/4	65	15	330
RCRBBD063G.N	2"	2"	38	23	85	99	2"3/4	80	15	533



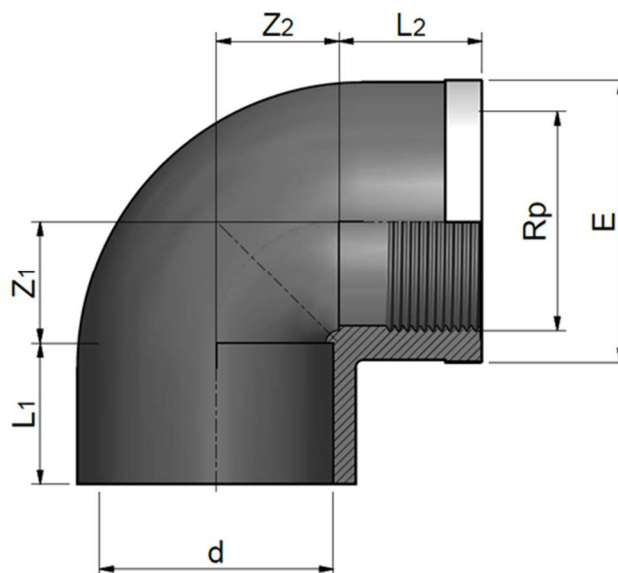
NSF and WRAS certifications: only for valves with EPDM seals. Certifications and approvals are related to items declared on Official Listing or certificates. /
Certificazioni NSF e WRAS: valide solo per le valvole con guarnizioni EPDM. Le certificazioni si riferiscono ai prodotti dichiarati nelle Official Listing o sui certificati stessi.

PVC-U Adaptor fittings, BS - BSPP
PVC-U Raccordi di passaggio, BS - BSPP

ELBOW 90° WITH REINFORCING RING
GOMITO 90° CON ANELLO DI RINFORZO

Rev. Aug 2019

- Stainless steel reinforcing ring / Anello di rinforzo in acciaio inox



Code	d	Rp	L1	L2	Z1	Z2	E	PN	Weight (g)
RCRGOCR020B	1/2"	1/2"	17	15	11	13	28	15	24
RCRGOCR025C	3/4"	3/4"	20	16,3	14	17	34	15	43
RCRGOCR032D	1"	1"	23	19,1	17	21	42	15	72
RCRGOCR040E	1"1/4	1"1/4	27	21,4	21	27	51	15	106
RCRGOCR050F	1"1/2	1"1/2	32	21,4	26	37	61	15	175
RCRGOCR063G	2"	2"	39	26	33	46	75	15	289

Thread according to ISO 228-1 / Filettatura secondo ISO 228-1



NSF and WRAS certifications: only for valves with EPDM seals. Certifications and approvals are related to items declared on Official Listing or certificates. /
 Certificazioni NSF e WRAS: valide solo per le valvole con guarnizioni EPDM. Le certificazioni si riferiscono ai prodotti dichiarati nelle Official Listing o sui certificati stessi.

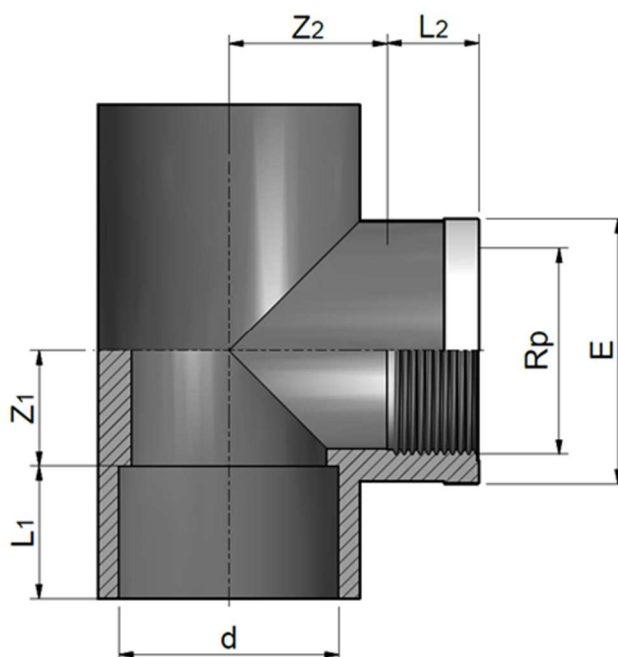
PVC-U Adaptor fittings, BS - BSPP

PVC-U Raccordi di passaggio, BS - BSPP

TEE 90° WITH FEMALE REINFORCED THREADED BRANCH TI 90° CON BOCCA CENTRALE FILETTATA FEMMINA RINFORZATA

Rev. Jul 2020

- Stainless steel reinforcing ring / Anello di rinforzo in acciaio inox



Code	d	Rp	L1	L2	Z1	Z2	E	PN	Weight (g)
RCRTICR020B	1/2"	1/2"	17	15	11	13	28	15	34
RCRTICR025C	3/4"	3/4"	19	16,3	14	17	34	15	53
RCRTICR032D	1"	1"	23	19,1	17	21	42	15	87
RCRTICR040E	1"1/4	1"1/4	27	21,4	21	27	51	15	136
RCRTICR050F	1"1/2	1"1/2	32	21,4	26	37	61	15	215
RCRTICR063G	2"	2"	39	25,7	33	47	75	15	359

Thread according to ISO 228-1 / Filettatura secondo ISO 228-1



NSF and WRAS certifications: only for valves with EPDM seals. Certifications and approvals are related to items declared on Official Listing or certificates. /
Certificazioni NSF e WRAS: valide solo per le valvole con guarnizioni EPDM. Le certificazioni si riferiscono ai prodotti dichiarati nelle Official Listing o sui certificati stessi.

PVC-U Adaptor fittings, BS - BSPP

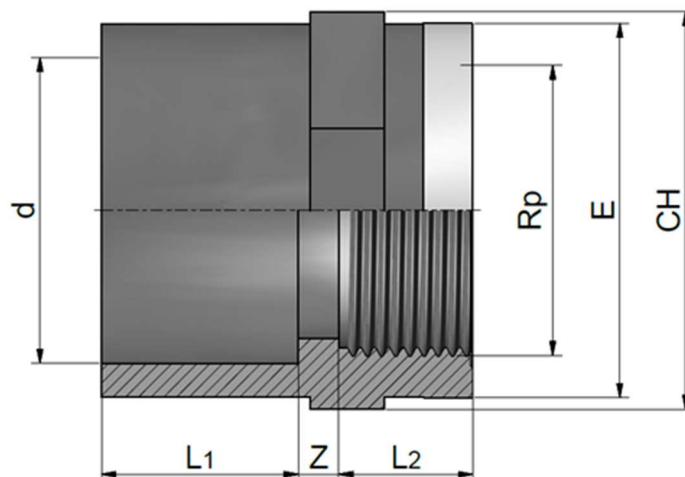
PVC-U Raccordi di passaggio, BS - BSPP

SOCKET WITH REINFORCING RING

MANICOTTO CON ANELLO DI RINFORZO

- Stainless steel reinforcing ring / Anello di rinforzo in acciaio inox

Rev. Jun 2019



Code	d	Rp	L1	L2	Z1	Z2	E	PN	Weight (g)
RCRMCR020B	1/2"	1/2"	17	15	4	28	30	15	22
RCRMCR025C	3/4"	3/4"	20	16,3	6	34	36	15	33
RCRMCR032D	1"	1"	23	19,8	6	42	46	15	50
RCRMCR040E	1"1/4	1"1/4	27	21,4	7	51	55	15	76
RCRMCR050F	1"1/2	1"1/2	32	21,4	7	61	65	15	115
RCRMCR063G	2"	2"	38	28	6	73	75	15	189

Thread according to ISO 228-1 / Filettatura secondo ISO 228-1



NSF and WRAS certifications: only for valves with EPDM seals. Certifications and approvals are related to items declared on Official Listing or certificates. /
 Certificazioni NSF e WRAS: valide solo per le valvole con guarnizioni EPDM. Le certificazioni si riferiscono ai prodotti dichiarati nelle Official Listing o sui certificati stessi.

PVC-U Adaptor fittings, BS - BSPP

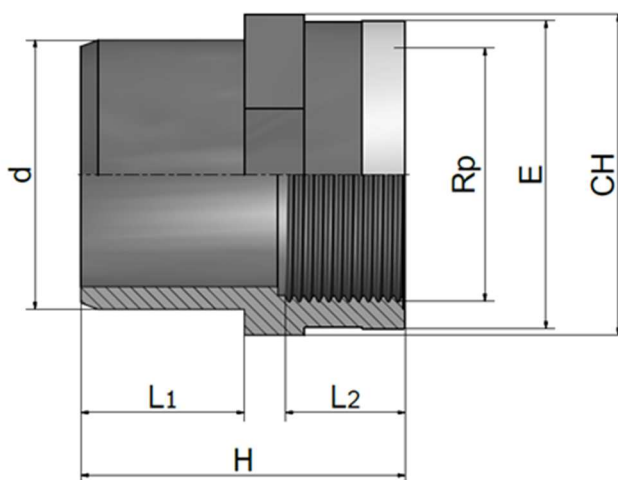
PVC-U Raccordi di passaggio, BS - BSPP

FEMALE ADAPTOR WITH REINFORCING RING

ADATTATORE FEMMINA CON ANELLO DI RINFORZO

Rev. Jul 2020

- Stainless steel reinforcing ring / Anello di rinforzo in acciaio inox



Code	d	Rp	L1	L2	H	E	CH	PN	Weight (g)
RCRAFCR020B	1/2"	1/2"	17	15	40	28	30	15	22
RCRAFCR025C	3/4"	3/4"	20	16,3	45	34	36	15	33
RCRAFCR032D	1"	1"	23	19,1	51	42	46	15	50
RCRAFCR040E	1"1/4	1"1/4	27	21,4	58	51	55	15	76
RCRAFCR050F	1"1/2	1"1/2	32	21,4	64	61	65	15	115
RCRAFCR063G	2"	2"	39	26	75	71	75	15	189

Thread according to ISO 228-1 / Filettatura secondo ISO 228-1



NSF and WRAS certifications: only for valves with EPDM seals. Certifications and approvals are related to items declared on Official Listing or certificates. /
 Certificazioni NSF e WRAS: valide solo per le valvole con guarnizioni EPDM. Le certificazioni si riferiscono ai prodotti dichiarati nelle Official Listing o sui certificati stessi.

All descriptions and illustrations in this publication are intended for guidance only and shall not constitute a 'sale by description'. All dimensions given are nominal, while changes can be done on the information, products and specifications from time to time for a variety of reasons, without prior notice. The information in this publication is provided 'as is' on the revision date stated on the sheet. Updates will not be issued automatically. This information is not intended to have any legal effect, whether by way of advice, representation or warranty (express or implied). We accept no liability whatsoever (to the extent permitted by law) if you place any reliance on this publication you must do so at your own risk. All rights reserved. Copyright in this publication belongs to Polypipe Italia and all such copyright may not be used, sold, copied or reproduced in whole or part in any manner in any media to any person without prior consent. **EFFAST** is a registered trademark."